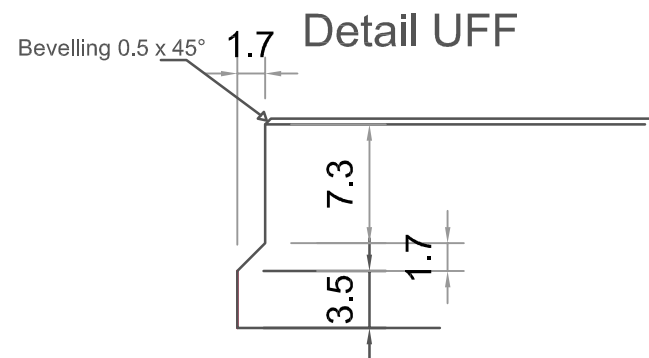
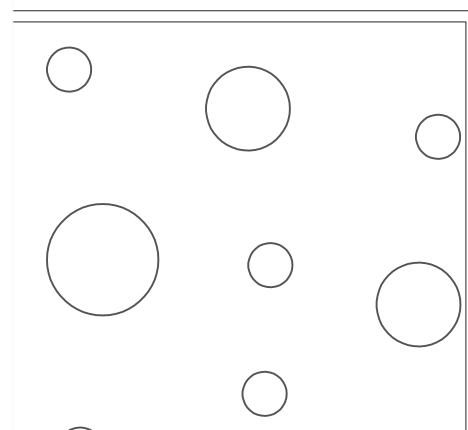



Detail A



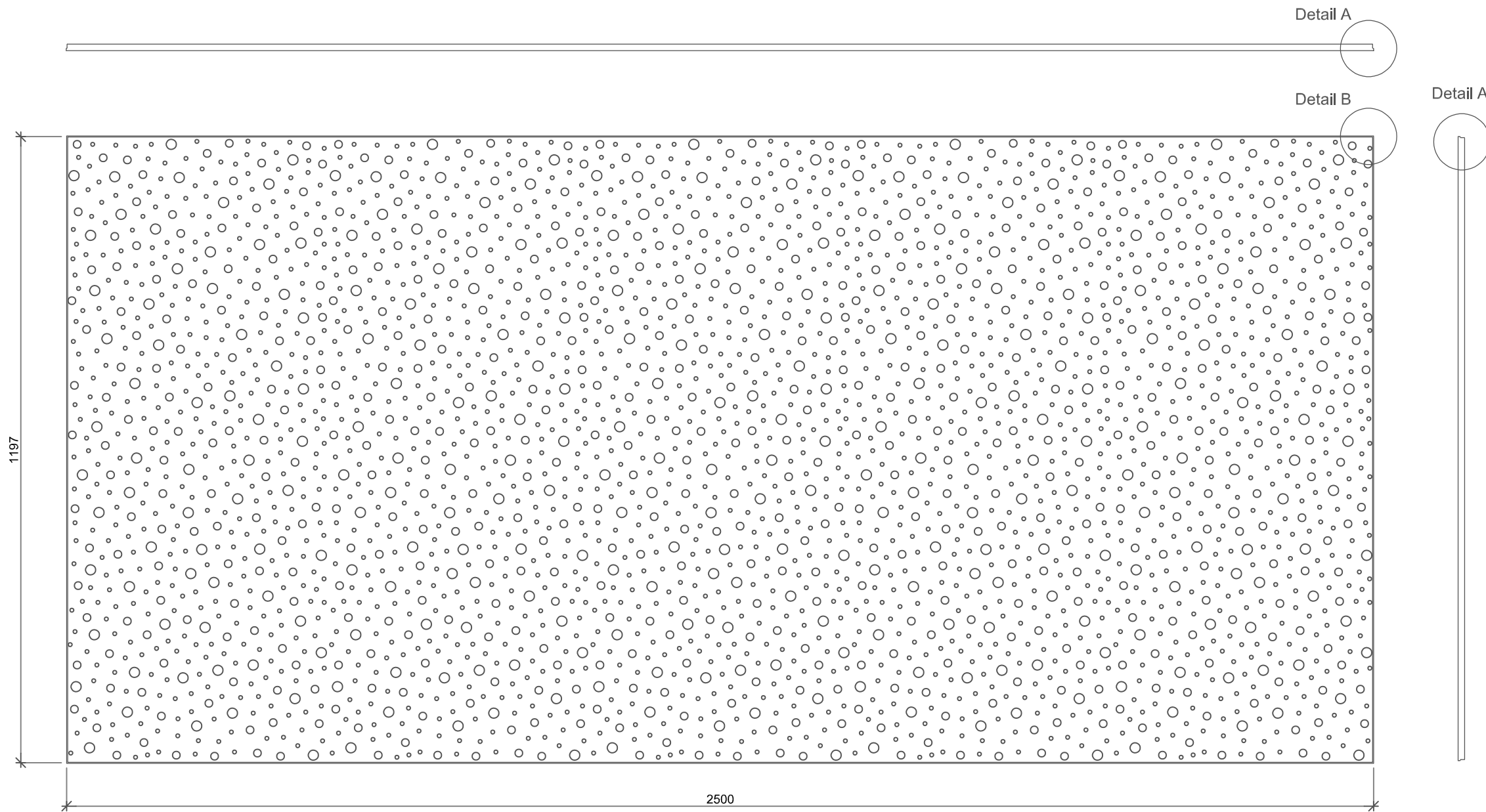
Detail B



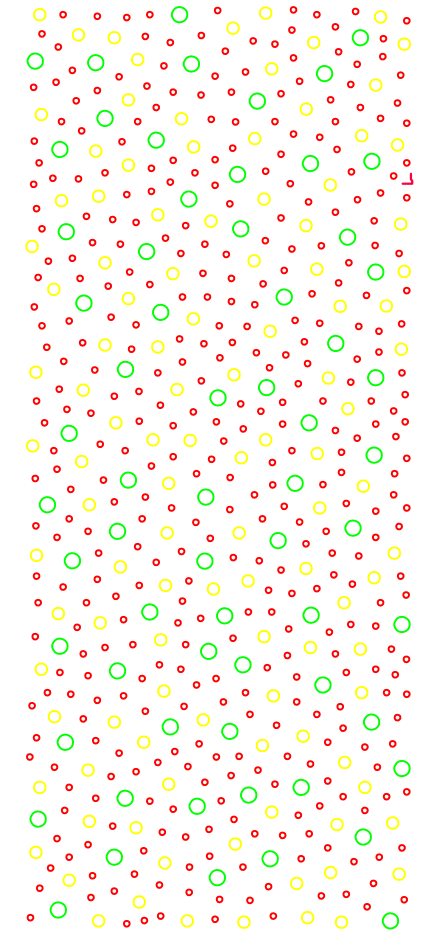
Perforation pattern:	Globe G 8/15/20 (ø8, ø15 and ø20 mm holes random)
Perforation percentage:	9,9 %
Edge type:	Solopanel UFF
Module:	1197 x 2000 x 12,5mm
Visible measure (primary):	1197 x 2000mm
External measure (secondary):	1197 x 2000mm
A measure:	12,5mm
Perforation picture:	Full perforated (4 fields 500x1197)
Fleece:	Black

Project:	Stratopanel UFF, Module 1197x2000, Globe 8/15/20	MDM no.:	608440
Subject:		Scale:	
		Date:	2019-10-16
		Rev.:	
		Sign.:	NPJ
		Project no.:	
		File:	

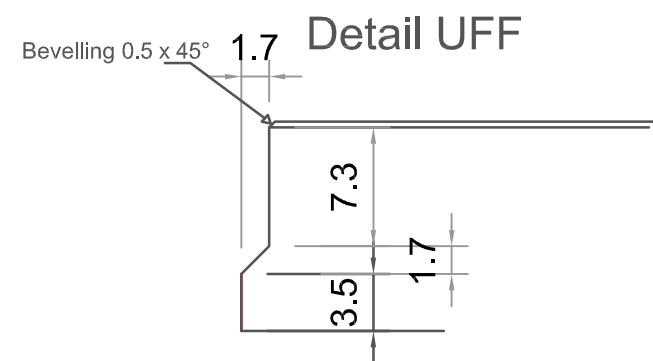
Knauf Danoline A/S Kløvermarksvej 6, DK-9500 Hobro
T: +45 9657 3000 F: +45 9657 3001
www.knaufdanoline.com - info@knaufdanoline.com



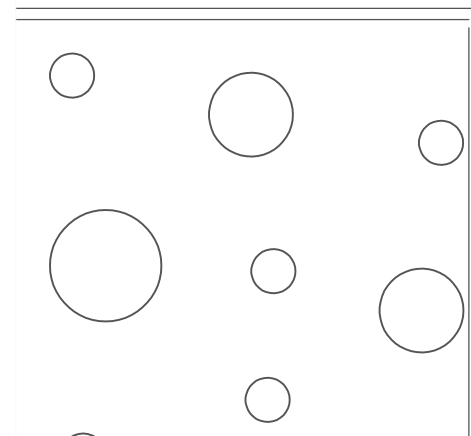
Perforationfield



Detail A




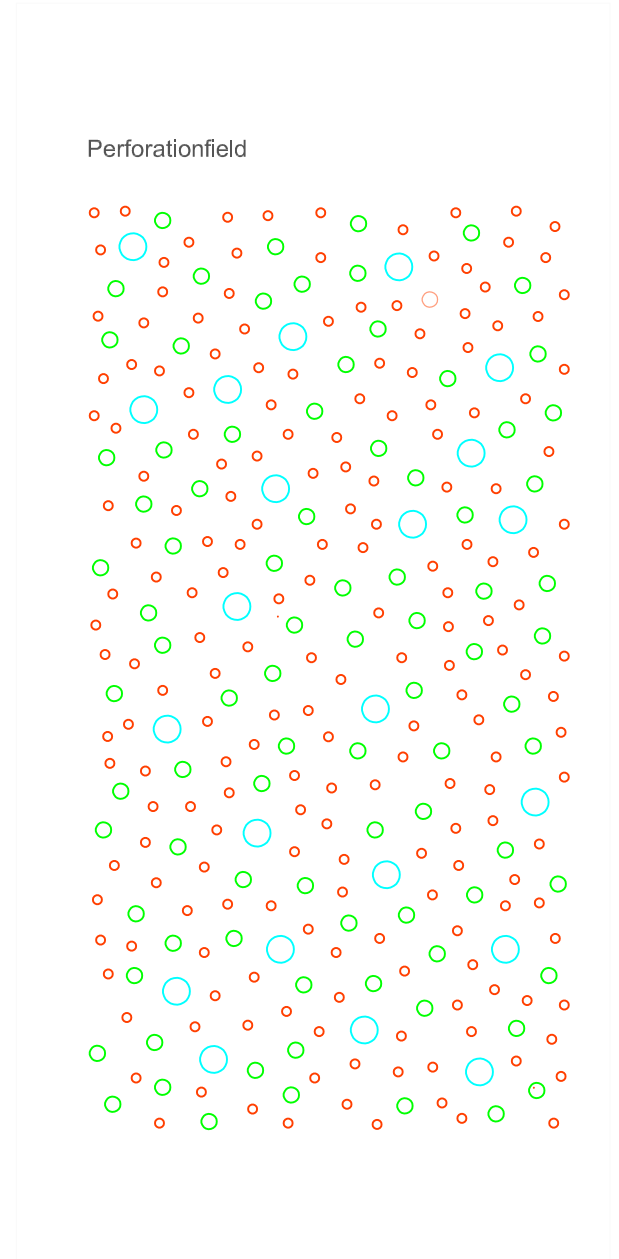
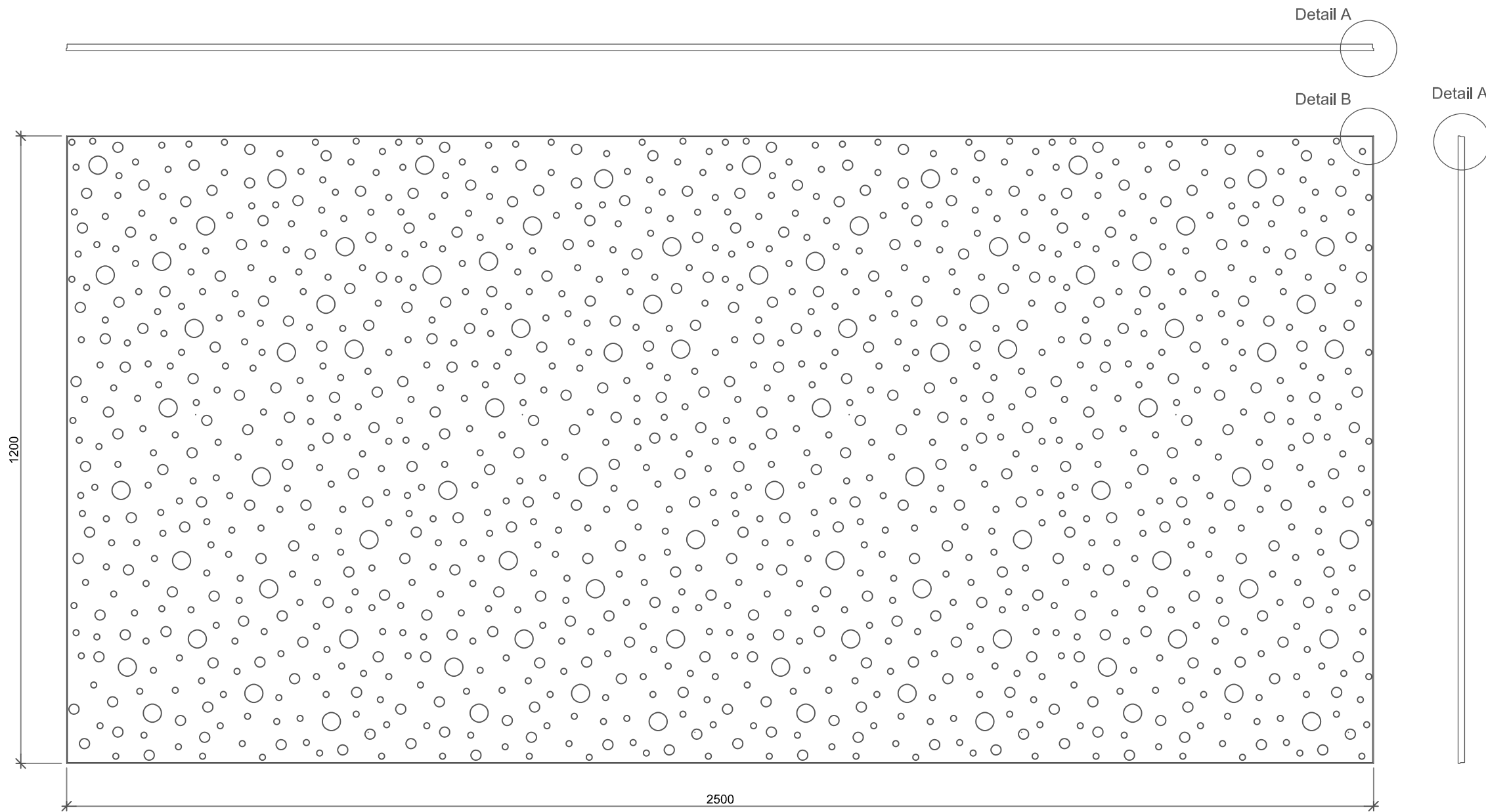
Detail B



Perforation pattern:
 Perforation percentage:
 Edge type:
 Module:
 Visible measure (primary):
 External measure (secondary):
 A measure:
 Perforation picture:
 Fleece:

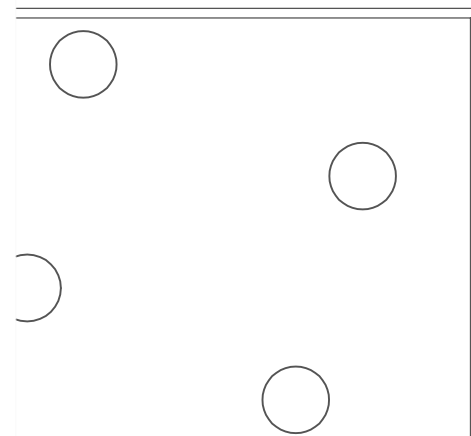
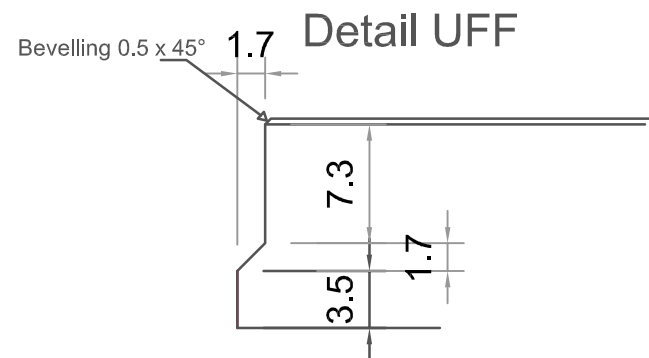
Globe G 8/15/20 (ø8, ø15 and ø20 mm holes random)
 9,9 %
 Solopanel UFF
 1200 x 2500 x 12,5mm
 1200 x 2500mm
 1200 x 2500mm
 12,5mm
 Full perforated (5 fields 500x1200)
 Black

Project: Stratopanel UFF, Module 1200x2500, Globe 8/15/20	MDM no.: 613207
Subject:	Scale:
	Date: 2020-04-08
	Rev.:
<small>Knauf Danoline A/S Kløvermarksvej 6, DK-9500 Hobro T: +45 9657 3000 F: +45 9657 3001 www.knaufdanoline.com - info@knaufdanoline.com</small>	Sign.: NPJ
	Project no.:
	File:



Detail A

Detail B



Perforation pattern:
 Perforation percentage:
 Edge type:
 Module:
 Visible measure (primary):
 External measure (secondary):
 A measure:
 Perforation picture:
 Fleece:

Globe G 12/20/35 (ø12, ø20 and ø35 mm holes random)
 9,8 %
 Stratopanel UFF
 1200 x 2500 x 12,5mm
 1200 x 2500mm
 1200 x 2500mm
 12,5mm
 Full perforated (4 fields 625x1200)
 Black

Project: Stratopanel UFF, Module 1200x2500, Globe 12/20/35	MDM no.: 613212
Subject:	Scale:
KNAUF DANOLINE	Date: 2020-07-09
	Rev.:
Knauf Danoline A/S Kløvermarksvej 6, DK-9500 Hobro T: +45 9657 3000 F: +45 9657 3001 www.knaufdanoline.com - info@knaufdanoline.com	Sign.: NPJ
	Project no.:
	File: